

SIEMENS

## Data sheet

3RB2036-1UW1

Overload relay 12.5...50 A For motor protection Size S2, Class 10  
 Stand-alone installation Main circuit: straight-through transformer  
 Auxiliary circuit: Screw terminal Manual-Automatic-Reset !!! Phased-  
 out product !!! Successor is SIRIUS 3RB3 Preferred successor type  
 is >>3RB3036-1UW1<<

Product brand name	SIRIUS
Product designation	solid-state overload relay

## General technical data

Size of contactor can be combined company-specific	S2
Power loss [W] total typical	0.05 W
Insulation voltage	
• with degree of pollution 3 rated value	690 V
Surge voltage resistance rated value	6 kV
Protection class IP	
• on the front	IP20
Shock resistance	15g / 11 ms
Type of protection	PTB 06 ATEX 3001 Ex II (2) GD
Reference code acc. to DIN EN 81346-2	F

## Ambient conditions

Installation altitude at height above sea level	
• maximum	2 000 m
Ambient temperature	
• during operation	-25 ... +60 °C
• during storage	-40 ... +80 °C
• during transport	-40 ... +80 °C
Relative humidity during operation	100 %

## Main circuit

Number of poles for main current circuit	3
Adjustable pick-up value current of the current-dependent overload release	12.5 ... 50 A
Operating voltage	
• at AC-3 rated value maximum	690 V

## Auxiliary circuit

Number of NC contacts for auxiliary contacts	1
Number of NO contacts for auxiliary contacts	1
Number of CO contacts	
• for auxiliary contacts	0

<b>Operating current of auxiliary contacts at AC-15</b>	
• at 24 V	4 A
• at 110 V	4 A
• at 120 V	4 A
• at 125 V	4 A
• at 230 V	3 A
<b>Operating current of auxiliary contacts at DC-13</b>	
• at 24 V	2 A
• at 60 V	0.55 A
• at 110 V	0.3 A
• at 125 V	0.3 A
• at 220 V	0.11 A

<b>Protective and monitoring functions</b>	
<b>Trip class</b>	CLASS 10E

<b>Short-circuit protection</b>	
<b>Design of the fuse link</b>	fuse gL/gG: 6 A
• for short-circuit protection of the auxiliary switch required	

<b>Installation/ mounting/ dimensions</b>	
<b>Mounting position</b>	any
<b>Mounting type</b>	stand-alone installation
<b>Height</b>	92 mm
<b>Width</b>	55 mm
<b>Depth</b>	109 mm
<b>Required spacing</b>	
• with side-by-side mounting	
— forwards	0 mm
— Backwards	0 mm
— upwards	0 mm
— downwards	0 mm
— at the side	0 mm
• for grounded parts	
— forwards	0 mm
— Backwards	0 mm
— upwards	0 mm
— at the side	6 mm
— downwards	0 mm
• for live parts	
— forwards	0 mm
— Backwards	0 mm
— upwards	0 mm

- downwards
- at the side

0 mm  
6 mm

## Connections/Terminals

<b>Product function</b> <ul style="list-style-type: none"> <li>• removable terminal for auxiliary and control circuit</li> </ul>	Yes
<b>Type of electrical connection</b> <ul style="list-style-type: none"> <li>• for main current circuit</li> <li>• for auxiliary and control current circuit</li> </ul>	straight-through transformers screw-type terminals
<b>Type of connectable conductor cross-sections</b> <ul style="list-style-type: none"> <li>• for auxiliary contacts               <ul style="list-style-type: none"> <li>— solid</li> <li>— finely stranded with core end processing</li> </ul> </li> <li>• at AWG conductors for auxiliary contacts</li> </ul>	0.5 ... 4 mm <sup>2</sup> , 2x (0.5 ... 2.5 mm <sup>2</sup> ) 0.5 ... 2.5 mm <sup>2</sup> , 2x (0.5 ... 1.5 mm <sup>2</sup> ) 2x (20 ... 14)

## Electromagnetic compatibility

<b>Conducted interference</b> <ul style="list-style-type: none"> <li>• due to burst acc. to IEC 61000-4-4</li> <li>• due to conductor-earth surge acc. to IEC 61000-4-5</li> <li>• due to conductor-conductor surge acc. to IEC 61000-4-5</li> </ul>	2 kV (power ports), 1 kV (signal ports) corresponds to degree of severity 3 2 kV (line to earth) corresponds to degree of severity 3 1 kV (line to line) corresponds to degree of severity 3
<b>Field-bound parasitic coupling acc. to IEC 61000-4-3</b>	10 V/m
<b>Electrostatic discharge acc. to IEC 61000-4-2</b>	6 kV contact discharge / 8 kV air discharge

## Certificates/approvals

General Product Approval	EMC	For use in hazardous locations
--------------------------	-----	--------------------------------



Declaration of Conformity	Test Certificates	Marine / Shipping
---------------------------	-------------------	-------------------



[Type Test Certificates/Test Report](#)

[Special Test Certificate](#)



Marine / Shipping	other
-------------------	-------



[Miscellaneous](#)

[Confirmation](#)

## Further information

### Information- and Downloadcenter (Catalogs, Brochures,...)

<http://www.siemens.com/industrial-controls/catalogs>

### Industry Mall (Online ordering system)

<https://mall.industry.siemens.com/mall/en/en/Catalog/product?mlfb=3RB2036-1UW1>

### Cax online generator

<http://support.automation.siemens.com/WW/CAXorder/default.aspx?lang=en&mlfb=3RB2036-1UW1>

### Service&Support (Manuals, Certificates, Characteristics, FAQs,...)

<https://support.industry.siemens.com/cs/ww/en/ps/3RB2036-1UW1>

### Image database (product images, 2D dimension drawings, 3D models, device circuit diagrams, EPLAN macros, ...)

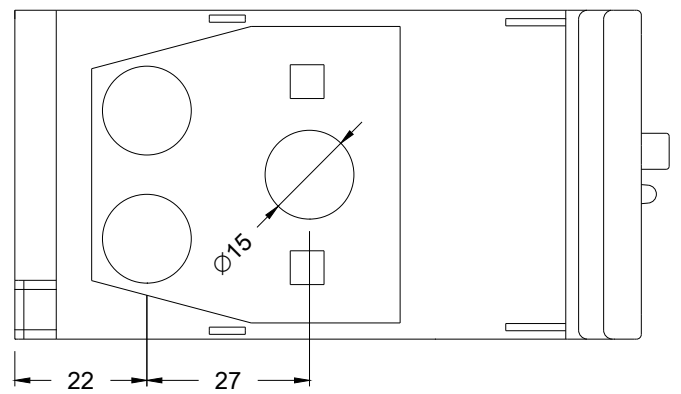
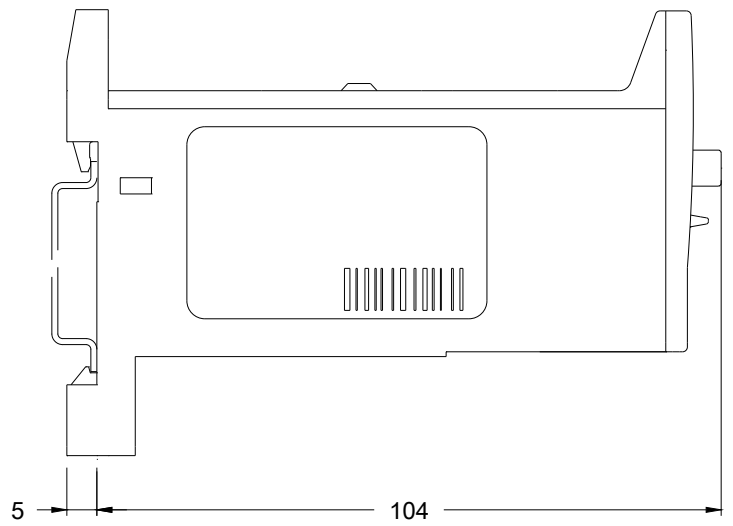
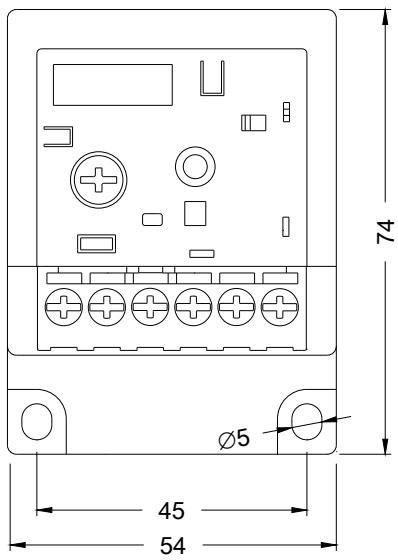
[http://www.automation.siemens.com/bilddb/cax\\_de.aspx?mlfb=3RB2036-1UW1&lang=en](http://www.automation.siemens.com/bilddb/cax_de.aspx?mlfb=3RB2036-1UW1&lang=en)

### Characteristic: Tripping characteristics, I<sup>2</sup>t, Let-through current

<https://support.industry.siemens.com/cs/ww/en/ps/3RB2036-1UW1/char>

### Further characteristics (e.g. electrical endurance, switching frequency)

<http://www.automation.siemens.com/bilddb/index.aspx?view=Search&mlfb=3RB2036-1UW1&objecttype=14&gridview=view1>



last modified:

07/20/2018